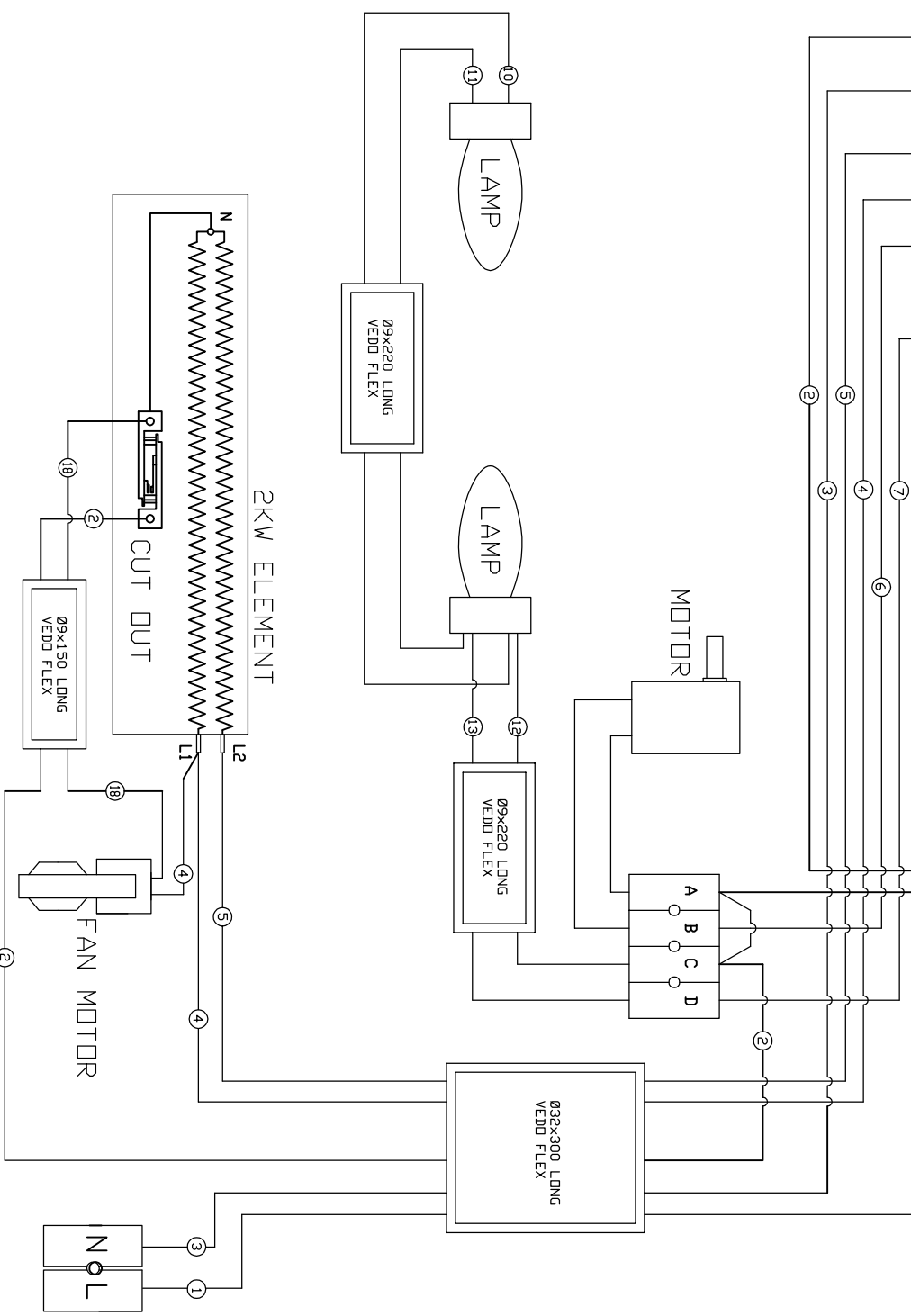
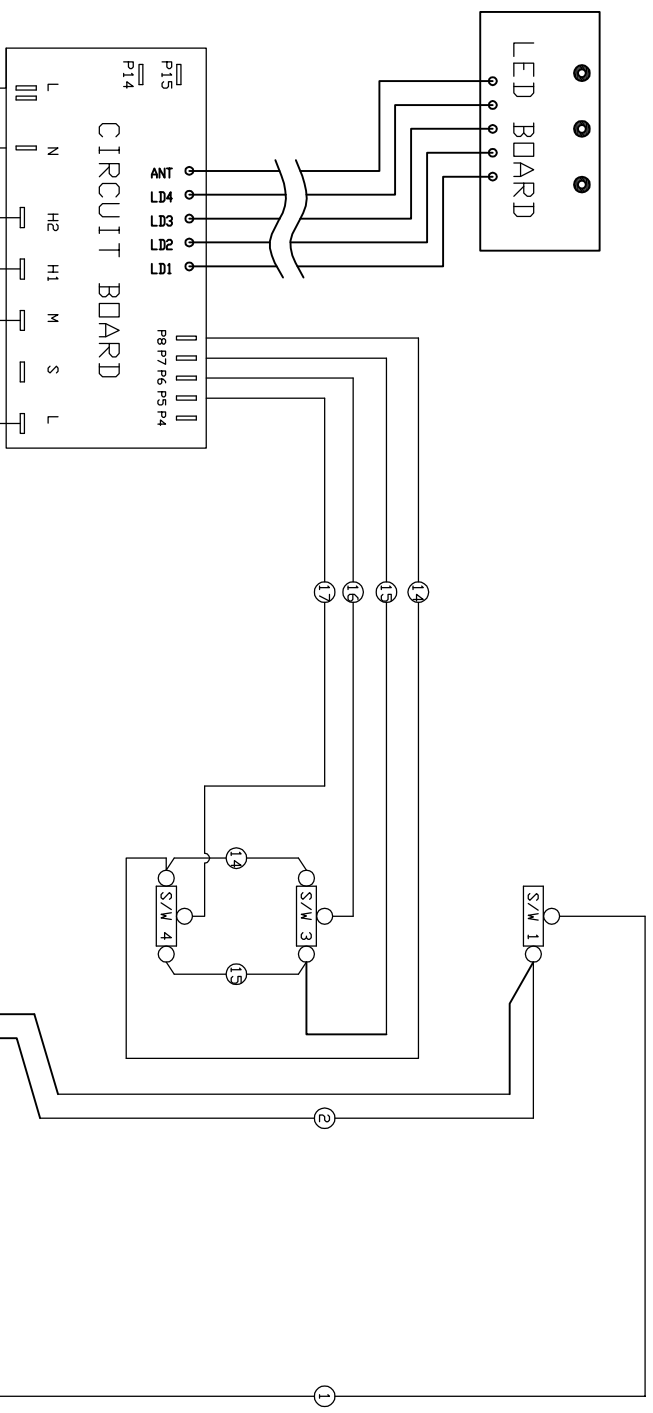


ISSUE	MODIFICATIONS	APPD	DATE	NOTES
1	DIAGRAM UPDATED TO SUIT PRODUCTION	tm	06/07/06	ALL WIRES TO BE 1.0mm SILICONE INSULATED RUBBER WIRE EXCEPT WHERE STATED,
2	CHANGE TO DEFEND ELEMENT. WIRE 18 ADDED.	IMCA	31/01/07	STRIPPED ENDS TO BE STRIPPED TO 6mm
3	Wire Assy 18 was 02/60962/0	D. K.	16/8/07	ALL CONNECTORS 6. 3 XO. 8MM
4	Wire Assy 18 DIM 150mm was 140mm	M. D' C.	24/9/07	
5	02/61214/0 WAS 02/19491/0, 02/61215/0 WAS 02/19497/0, T/BLDCK REPLACED TRI-CLAMP	DK	26.09.07	

ND.	DESCRIPTION	PART NO.	ND.	DESCRIPTION	PART NO.
1	FROM L SUPPLY TO SWITCH 1 S/STRAIGHT 550mm BR 1.0mm ²	2/61241/0	15	FROM P7 PCB TO SWITCH 3 TO SWITCH 4 S/FLAG & BOOT 320mm BR 1.0mm ² D/STRAIGHT & BOOT 90mm BR 1.0mm ²	2/19507/0
2	FROM CUT OUT TO TERMINAL CONNECTOR A & C TO SWITCH 1 TO L PCB S/STRAIGHT 580mm RD 1.0mm ² 90mm RD 1.0mm ² 150mm WT 1.0mm ² D/STRAIGHT & BOOT	2/19496/0	16	FROM P6 PCB TO SWITCH 3 S/FLAG & BOOT 320mm VL 1.0mm ² S/STRAIGHT & BOOT	2/19508/0
3	FROM N SUPPLY TO N PCB S/STRAIGHT & BOOT 780mm BL 1.0mm ² S/FLAG	2/61215/0	17	FROM P5 PCB TO SWITCH 4 S/FLAG 320mm BL 1.0mm ² S/STRAIGHT	2/19509/0
4	FROM H1 PCB TO L1 ELEMENT TO FAN MOTOR S/FLAG 770mm BLK 1.0mm ² 100mm BLK 1.0mm ² S/STRAIGHT & BOOT	2/19498/0	18	FROM CUT OUT TO BLOWER 4mm S/FLAG & BOOT 150mm VL 1.0mm ² 6.2mm S/FLAG & BOOT	2/61127/0
5	FROM H2 PCB TO L2 ELEMENT S/STRAIGHT 750mm VL 1.0mm ²	2/19499/0			
6	FROM H PCB TO TERMINAL CONNECTOR B S/FLAG 300mm PK 1.0mm ² S/STRAIGHT & BOOT	2/19500/0			
7	FROM L PCB TO TERMINAL CONNECTOR D S/FLAG 300mm WT 1.0mm ² S/STRAIGHT & BOOT	2/19501/0			
10 & 11	FROM LAMP 1 TO LAMP 2 260mm WT 0.8mm ²	1/24262/0			
12 & 13	FROM LAMP 2 TO TERMINAL CONNECTORS CA S/STRAIGHT & BOOT 280mm WT 0.8mm ²	2/19505/0			
14	FROM P8 PCB TO SWITCH 4 TO SWITCH 3 S/FLAG 350mm PK 1.0mm ² 90mm PK 1.0mm ² D/STRAIGHT & BOOT S/STRAIGHT & BOOT	2/19506/0			

DD NOT SCALE	THIRD ANGLE PROJECTION
IF IN DOUBT ASK	



DRAWN BY	DATE	SCALE	HOLE TOL	GEN TOL
N/R	23-05-03	N/A	+/-0.05	0 +/-0.4
APP'D BY	DATE	DIM IN	ANGLES	
IR	23-05-03	mm	+/-0.5°	0, 0 +/-0.2
				0, 00 +/-0.1

DRG NO	0/11124/0	A3
DRG NO	0/11124/0	A3
Sheet	1	1
Of	1	1

ALL MATERIAL MUST COMPLY WITH THE REQUIREMENTS OF EUROPEAN DIRECTIVE 2002/95/EC ON THE RESTRICTION OF THE USE OF CERTAIN HAZARDOUS SUBSTANCES. R.O.H.S.